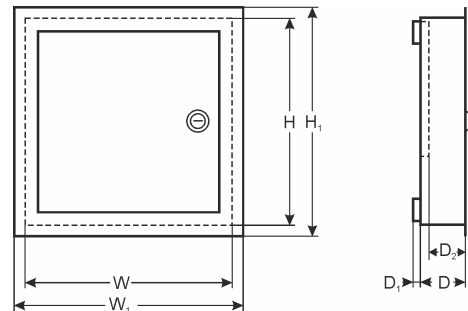


**CODE:** AWO500PU v.1.5/III  
**NAME:** 17/40/S-F/PUSTA



## DESTINATION

### 7Ah 500D:

**DSC:** PC1616, 1832, 1864, 4020+ 5108 (4108, 5208, 5100, 4116)

**MODULES:** 1) 3x (4108, 5108, 5208, 5100, 4116)

2) 4204, 4216, 4580, 5400, 5204, 5580, 5200+ 5108 (4108, 5208, 5100, 4116)

**PARADOX:** 728 ULT, E55, 65, SP4000, 5500, 6000, 7000, EV048, 192+ ZX4

**MODULES:** 1) ZX8, APR3- HUB2, PGM4

2) 2x ZX4

**RISCO:** 1) PRO24, 116, 128, 140

**MODULES:** EZ16 (E04, EZ8)

**SATEL:** 1) CA4V1, 5,6,10, VERSA 5,10,15, INTEGRA 24, 32+ CA64E (CA10E, SM, MST1)

**MODULES:** CA64 (PP, EPS, ADR, O-R, O-ROC, O-OC, OPS-OC, OPS-R, OPS-ROC, VGM 16, SR, DR+ CA64E (SM)

**PYRONIX:** 1) MATRIX 424, 6, 816, 832, 832+

**CROW:** 1) RUNNER 4,8

**TELMOR:** 1) TCA- 824

**ROEL:** SIGMA 6,12, CERBER

**ROGER:** 1) PR402, CPR 32- SE

**EBS:** 1) PX 202A

**PULSAR:** 1) MS1012, MSR1012, MSRK1012

2) MS2012, MSR2012, MSRK2012

### 17Ah 500B:

**DSC:** 1) PC1616, 1832, 1864, 4020+ 5108 (4108, 5208, 5100, 4116)

**MODULES:** PC5204, 5400, 5580, 5200, 4216, 4204+ 5108 (5208, 4108, 5100, 4116)

**PARADOX:** 1) E55,65, 728ULT, SP4000, 5500, 6000, 7000, EV048, 192+ ZX8 (ZX4, HUB2, PGM4)

**RISCO:** 1) PRO24

**SATEL:** 1) CA4V1, 5,6, 10, VERSA 5,10,15, INTEGRA 24, 32+ CA64E (CA10E, SM, MST1)

**MODULES:** CA64 (PP, EPS, ADR, O-R, O-ROC, O-OC, OPS-OC, OPS-R, OPS-ROC, DR, ACC-KP-PS, VGM16, SR, PTSA)+ CA64E ( CA10E, SM, MST1)

**PYRONIX:** 1) MATRIX 424,6,816,832,832+

**CROW:** 1) RUNNER 4,8

**TEXECOM:** 1) PREMIER 412, 816, 832

**TELMOR:** 1) TCA 824+ TEX 800

**ROGER:** 1) PR 402, CPR 32- SE

**EBS:** 1) PX 202A

**PULSAR:** 1) MS1012, MSR1012, MSRK1012

2) MS2012, MSR2012, MSRK2012

## TECHNICAL DATA

**External dimensions of the enclosure:** W=310, H=305, D+D<sub>1</sub>=100+8 [+/- 2mm]

**External dimensions of the flange:** W<sub>1</sub>=345, H<sub>1</sub>=340 [+/- 2mm]

**Working depth:** D<sub>2</sub>=80 [+/-2 mm]

**Weight net/gross:** 3,50kg / 3,70kg [+/-0,1kg]

**Battery space:** 17Ah/12V Sealed Lead Acid (SLA)

**Transformer:** without transformer - can be mounted in the casing: TRZ20, TRZ40

**Material description:** sheet steel DC01, thickness: 0,7mm, protection anticorrosion, color: RAL 9003

**Destination:** indoor

**Tamper protection:** 1 x microswitch: opening, 0,5A@50V/DC max. NC

**Closing:** lockable (MR 008 - different code)

**Notes:** flush type casing, removable back mounting plate and front frame, easy door removal, distance from wall - 8mm

**Declaration, warranty:** CE, 2 year from the production date